



Technical Bulletin 076 – High Intensity Rain Light FIA 8874-2019 Data Sheet

Issue Date 14/08/23

Revision 1

Lifeline Fire and Safety Systems Limited

Falkland Close, Charter Avenue Industrial Estate,
Coventry, West Midlands, CV4 8AU

Tel: +44 (0)24 7671 2999

Fax: +44 (0)24 7642 1322

Email: sales@lifeline-fire.co.uk

Technical Bulletin 1 –

REV1 14/08/2023

Overview

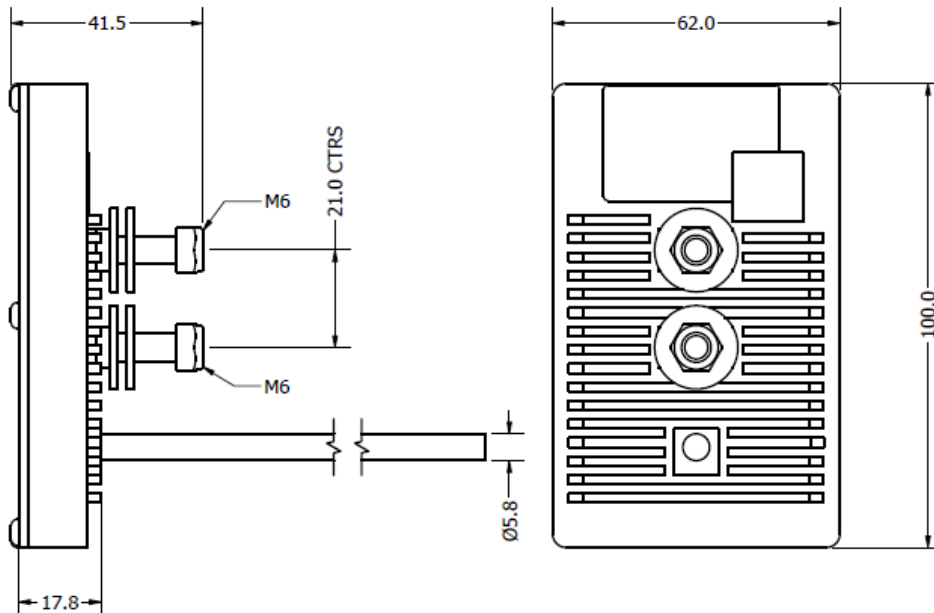
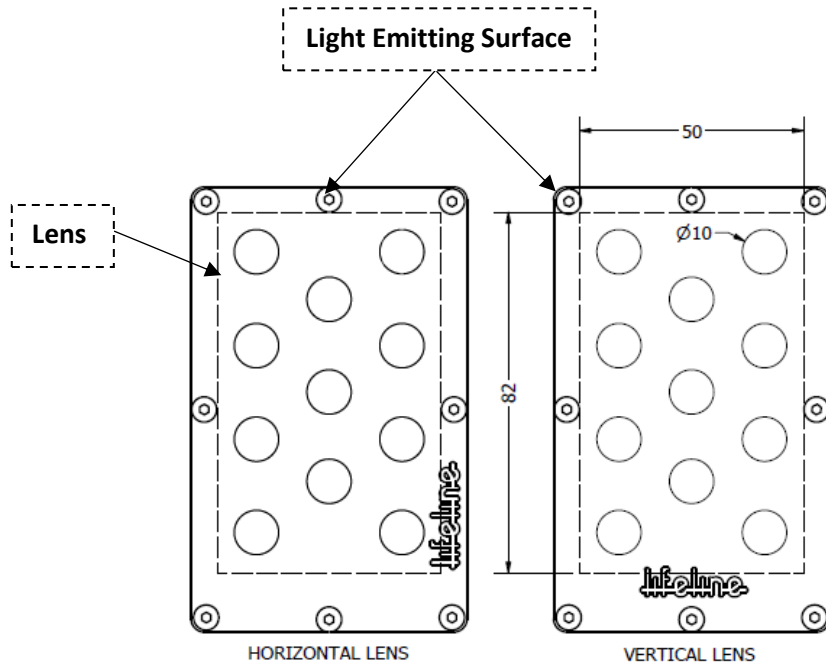
The Lifeline rain light uses high intensity LEDs to make it the brightest, safest rain light commercially available. The LEDs are highly energy efficient and have a 35,000 hour lifetime rating. Housed in Aluminium its robust design will easily meet the demands of a harsh racing environment. The rain light is supplied with 2 screens to for either a vertical or horizontal installation which can be replaced should it become damaged (421-101-004 Vertical, 421-101-006 Horizontal).



Specification

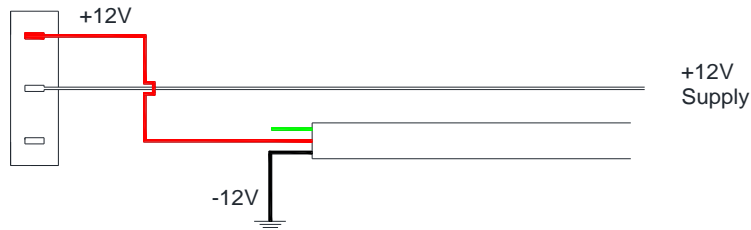
Description	LED Rain Light - High Intensity - FIA 8874
Part Number	410-100-011
Homologation Number	RL.001.21
Display	Light Emitting Diodes
Number of LEDs	11
Colour	Red
Wavelength	630nm
Number of Circuits	3
View Angle	+/-20°
Light Output	3269cd Average
Operating Temperatures	-25 to + 105°c
Fixing	M6 Bolt
Dimensions (L x W x D)	62 x 100 x 17.8mm
Weight	230g
Power Supply	External 9 to 14 Vdc
Power Consumption	8.4W, 700mA @12V
Flash	4 Hz

Rain Light Drawings

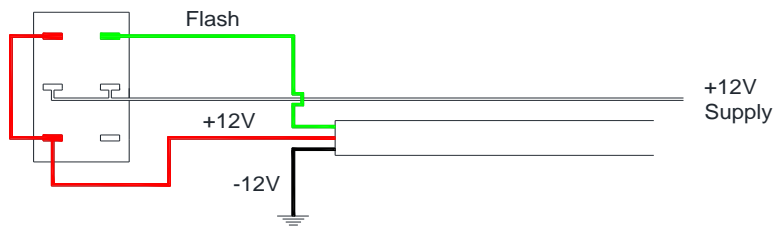


Wiring Instructions

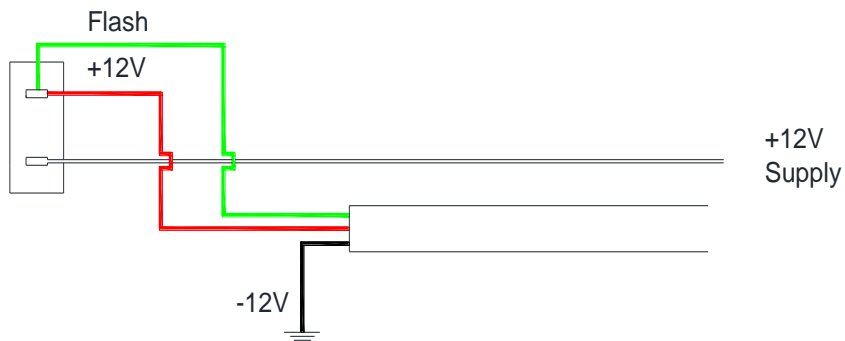
Red, +12V
Black, -12V
Green, Flash



To operate the flash function a double pole ON-OFF-ON toggle switch is required.



To operate the flash function ONLY a single pole ON-OFF toggle switch is required.



Installation Instructions

This unit is designed to operate at 9 to 14VDC. Subjecting it to significantly higher voltages or alternating current will cause damage to the unit and possible injury to the user. The unit has a power consumption of 700mA @12V and an operating temperature range of -25 to +105°C.

Two screens are supplied for vertical and horizontal installation. As supplied the rain light is in the vertical configuration, if horizontal is required the 8 screws should be removed (using a Torx T10 tool) from the screen and the horizontal screen installed taking care not to overtighten the screws. It is recommended to re-install the screws using thread-lock that has been allowed to dry before use to avoid wet thread-lock migrating on to the screen when fitting.

If the screen becomes dusty on the inner surface, the screen can be removed and cleaned by removing the screws. If thread-lock was used on the screws, as recommended above, the screw threads must be cleaned, and thread-lock reapplied prior to refitting.

When mounting the unit do not over tighten the mounting bolt as this could damage the electronic circuitry and render the unit inoperable. We recommend no more than 11N/m or 8lbs/ft tightening torque.

Install the unit in accordance with the series recommendations.

Drawing of the rain light showing the angle between horizontal and back of the rain light. The tolerance on the angle is fixed to +/-2 deg.

